



COMPOSITE LIGHTNING PROTECTION MAST is a perfect solution for everyone, wants to protect an equipment against lighting discharge.

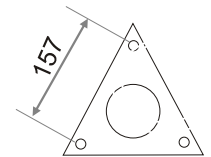
The installation of the lightning conductor which is put inside the composite mast is an additional protection for people and equipment located near the construction.

On the top of the mast there is a lightning copper-antenna of height 50 cm, which is installed inside. The ground wire does not touch walls of the mast.

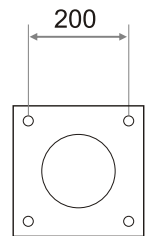
All masts from 13-22 m are made of two elements

Symbol of the mast	H [m]	BD [mm]	BPT [mm]
SKPF-OD 5,0/120/65	5,0	120	8
SKPF-OD 6,0/120/65	6,0	120	8
SKPF-OD 7,0/120/65	7,0	120	8
SKPF-OD 8,0/120/65	8,0	120	8
SKPF-OD 9,0/120/65	9,0	120	8
SKPF-OD 10,0/140/65	10,0	140	8
SKPF-OD 11,0/140/65	11,0	140	8
SKPF-OD 12,0/140/65	12,0	140	8
SKPF-OD 13,0/175/65	13,0	175	8
SKPF-OD 14,0/175/65	14,0	175	8
SKPF-OD 15,0/175/65	15,0	175	8
SKPF-OD 16,0/175/65	16,0	175	8
SKPF-OD 17,0/175/65	17,0	175	8
SKPF-OD 18,0/175/65	18,0	175	8
SKPF-OD 19,0/200/65	19,0	200	20
SKPF-OD 20,0/200/65	20,0	200	20
SKPF-OD 21,0/200/65	21,0	200	20
SKPF-OD 22,0/200/65	22,0	200	20

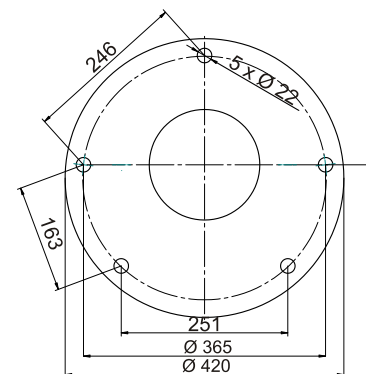
TYPES OF FOUNDATIONS



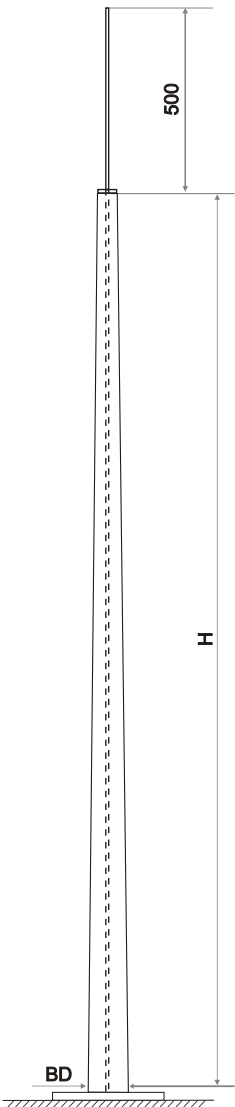
5-12m



13-18m



19-22m



MAST MOUNTED ON THE FOUNDATION

symbols used in the table

- H [m] – height
- BD [mm] – bottom diameter
- BPT [mm] – base length



THIS DATA SHEET DOES NOT CONSTITUTE AN OFFER